

Arabella

AT SUMMIT PARK



Elevation D
HOMESITE 1A

Elevation A
HOMESITE 1D

A1

2 BEDS + FLEX SPACE ■ 2-3 FULL, 1-2 HALF BATHS ■ 2,420 SQ. FT.

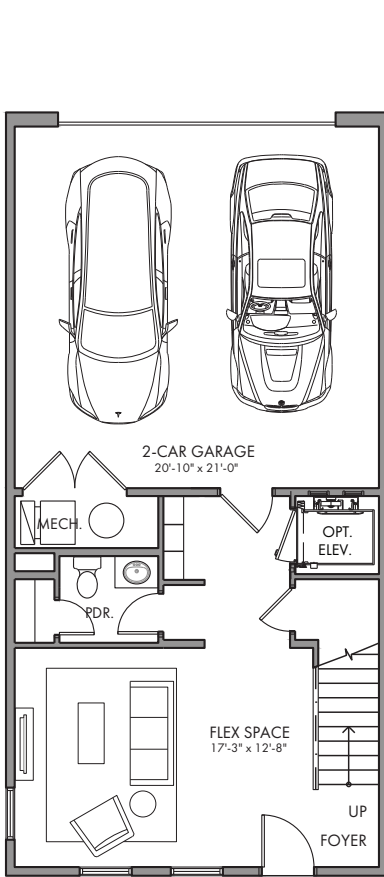
WPLAND
COMPANY

MAHONEY
GROUP

SIBCY  **CLINE**

TIM MAHONEY

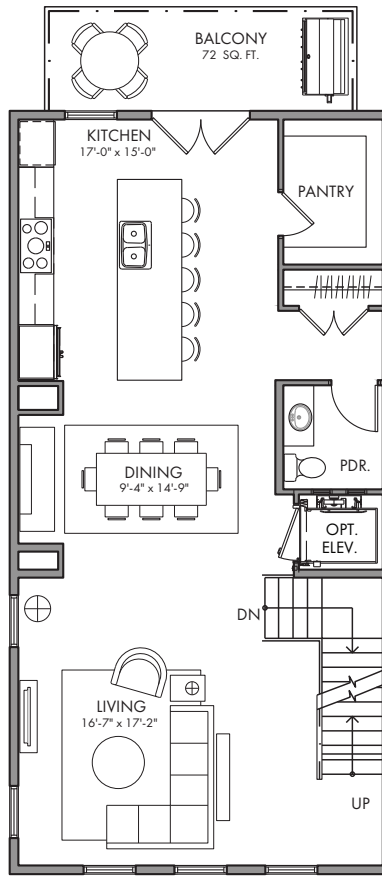
513.400.5930 ■ ARABELLA@WPLANDCOMPANY.COM ■ ARABELLASUMMITPARK.COM



Entrance

GROUND FLOOR

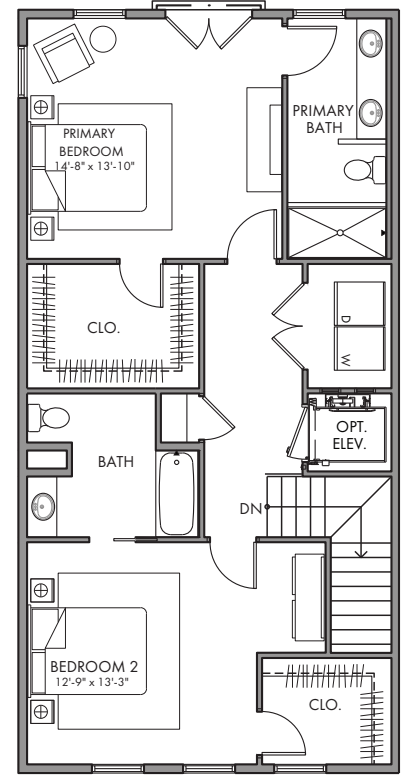
CEILING: 9'-0"



Main Living

SECOND FLOOR

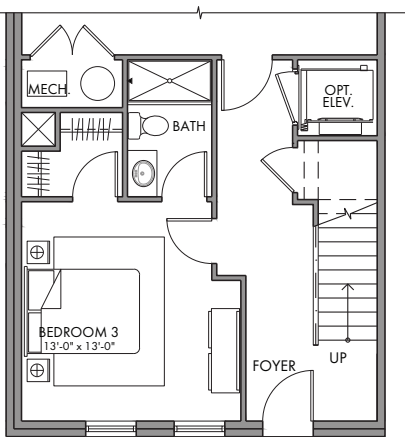
CEILING: 9'-0"



Bedrooms

THIRD FLOOR

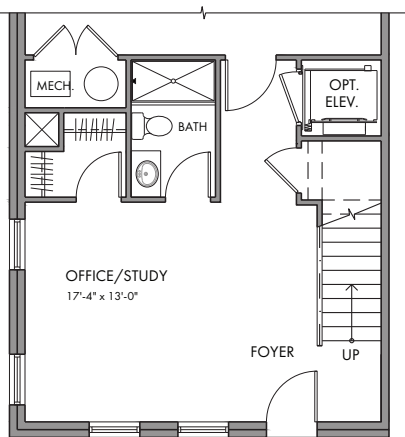
CEILING: 9'-0"



Alt. Ground Floor

OPT. BEDROOM + FULL BATH

CEILING: 9'-0"



Alt. Ground Floor

OPT. FULL BATH

CEILING: 9'-0"

513.400.5930 ■ ARABELLA@WPLANDCOMPANY.COM ■ ARABELLASUMMITPARK.COM

